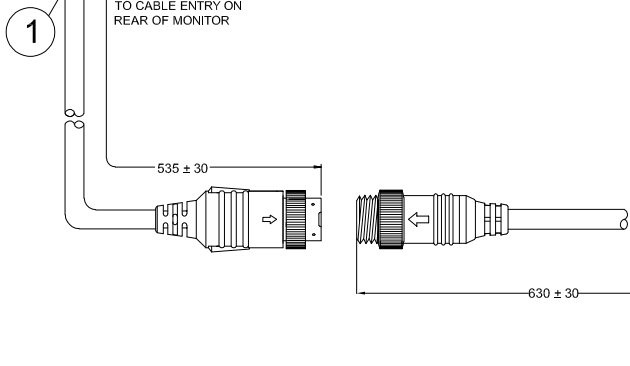
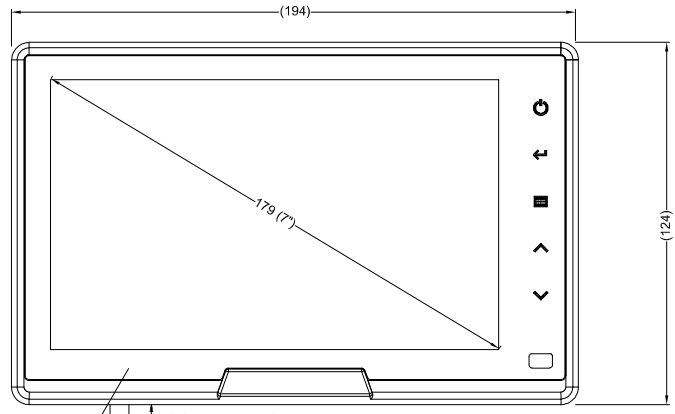


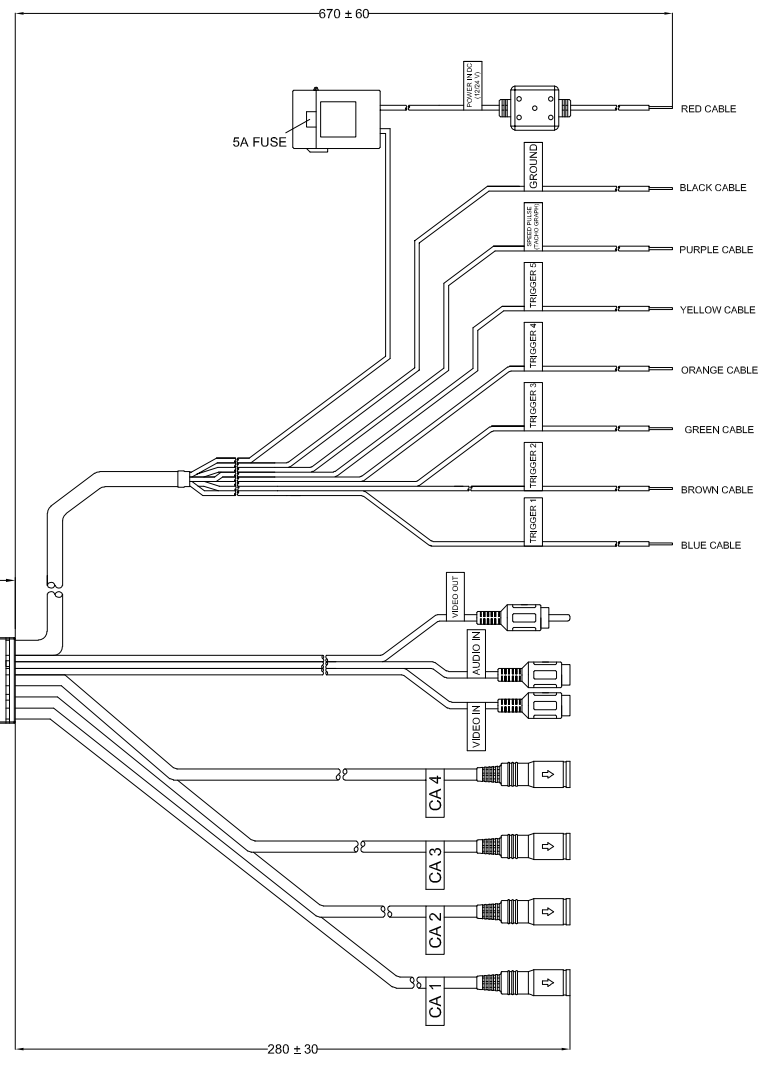
CHANGES FROM BASE PRODUCT BE-970WFM (3560) TO BE-970WFM(NPL) (6009)

- CHANGE:
1. BE-970WFM-M REPLACED WITH BE-970WFM-M(NPL).
 2. BE-970WFM-CA REPLACED WITH BE-970WFM-CA(NPL).
 3. BE-970WFM GB-LBL REPLACED WITH BE-970WFM(NPL) GB-LBL .
 4. BE-970WFM-IG (3431) REPLACED WITH BE-970WFM-IG(NPL) (6012).
- OPERATION:
1. BRIGADE LOGO REMOVED FROM SPLASH SCREEN.

Revision Notes.				
-				
APA: -	Drawn:-	Checked:-	Approved:-	Date: -



ITEM	PART NO	QTY	MODEL NO / DESCRIPTION
①	(6010)	1	BE-970WFM-M(NPL) MONITOR
②	(6011)	1	BE-970WFM-CA(NPL) CABLE ADAPTER
③	(3430)	1	BE-970WM-SS SUNSHIELD (NOT SHOWN)
④	(6012)	1	BE-970WFM-IG(NPL) INSTALLATION GUIDE (NOT SHOWN)
⑤	(2161)	1	BMM-013 BRACKET (NOT SHOWN)



- NOTES:
1. REFER TO "PRODUCT SPECIFICATION" FOR MORE DETAILS.
 2. REFER TO COMPONENT DRAWINGS FOR COMPONENT DETAIL.
 3. FOR PRODUCT LABEL AND PACKAGING DETAILS REFER TO MASTER BOM.

PROPRIETARY NOTICE
 THIS DESIGN AND TECHNICAL INFORMATION APPEARING ON THIS DRAWING IS THE PROPERTY OF BRIGADE ELECTRONICS, AND IS DISCLOSED IN CONFIDENCE. IT IS NOT TO BE COPIED, REPRODUCED, REVEALED TO OR EXPROPRIATED BY OTHERS, EITHER IN WHOLE OR IN PART WITHOUT THE EXPRESS WRITTEN CONSENT OF BRIGADE ELECTRONICS.



Assembly Pl Approval T. CHOI	Approved by B. CHILDS	Checked by J. TYRRELL	Drawn by A. FOSTER
Angle of Projection Third Angle	Units mm	Scale N/A	Released 18/12/19
	Status RELEASED	BE-970WFM(NPL)	
	Part No 6009	BE-004277-00-19	